



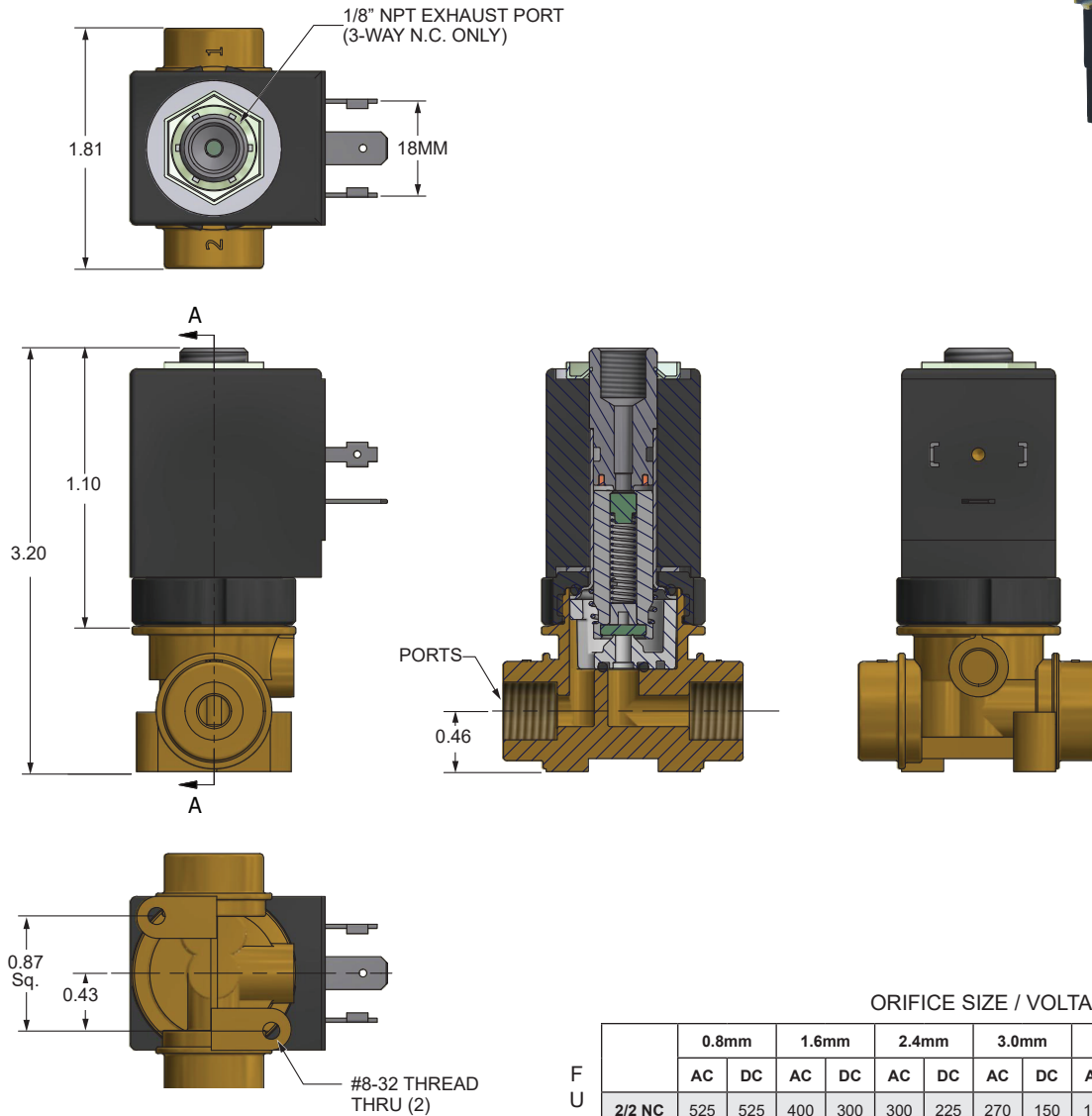
Series 6222

Direct Acting
2-Way & 3-Way

The Spartan Scientific Series 6222 solenoid valves are used as 2-Way & 3-Way, 2-Position, Normally Closed, Normally Open, Mixing or Diverting functions for the control of air, caustics, inert gases, oil, and water. The robust design incorporates all stainless steel stop plunger and tube assembly as well as spring compensated top seats installed in a no-lead brass forged body with 1/8", 1/4" and 3/8" NPT ports standard. Available in 0.8mm (0.03 Cv) to 6.0mm (0.72 Cv) orifice sizes, the 6222 can control a broad range of flow and pressure ratings. Standard elastomers are EPDM, FKM or NBR for media compatibility. The class F coils are all Glass-Filled Nylon encapsulated, 100% duty, all standard voltages, and are available in DIN 43650 Form "A", flying lead, DIN form A connector with 1/2" conduit.

Dimensional Data

ALL DIMENSIONS ARE IN INCHES UNLESS OTHERWISE NOTED
3/2 WAY VERSION SHOWN



ORIFICE SIZE / VOLTAGE

FUNCTION	0.8mm		1.6mm		2.4mm		3.0mm		4.0mm		5.0mm		6.0mm	
	AC	DC	AC	DC	AC	DC	AC	DC	AC	DC	AC	DC	AC	DC
2/2 NC	525	525	400	300	300	225	270	150	125	90	80	60	50	40
2/2 NO	525	525	275	275	200	200	110	100	N/A	N/A	N/A	N/A	N/A	N/A
3/2 NC	290	280	240	220	150	120	90	80	65	60	30	25	25	20
3/2 NO	340	300	220	200	140	120	90	80	-	-	-	-	-	-
3/2 DIV	N/A	N/A	N/A	N/A	160	130	100	90	-	-	-	-	-	-
3/2 MIX	210	210	110	110	60	60	40	40	-	-	-	-	-	-

MAX. PRESSURE RANGE (psi)



Series 6222

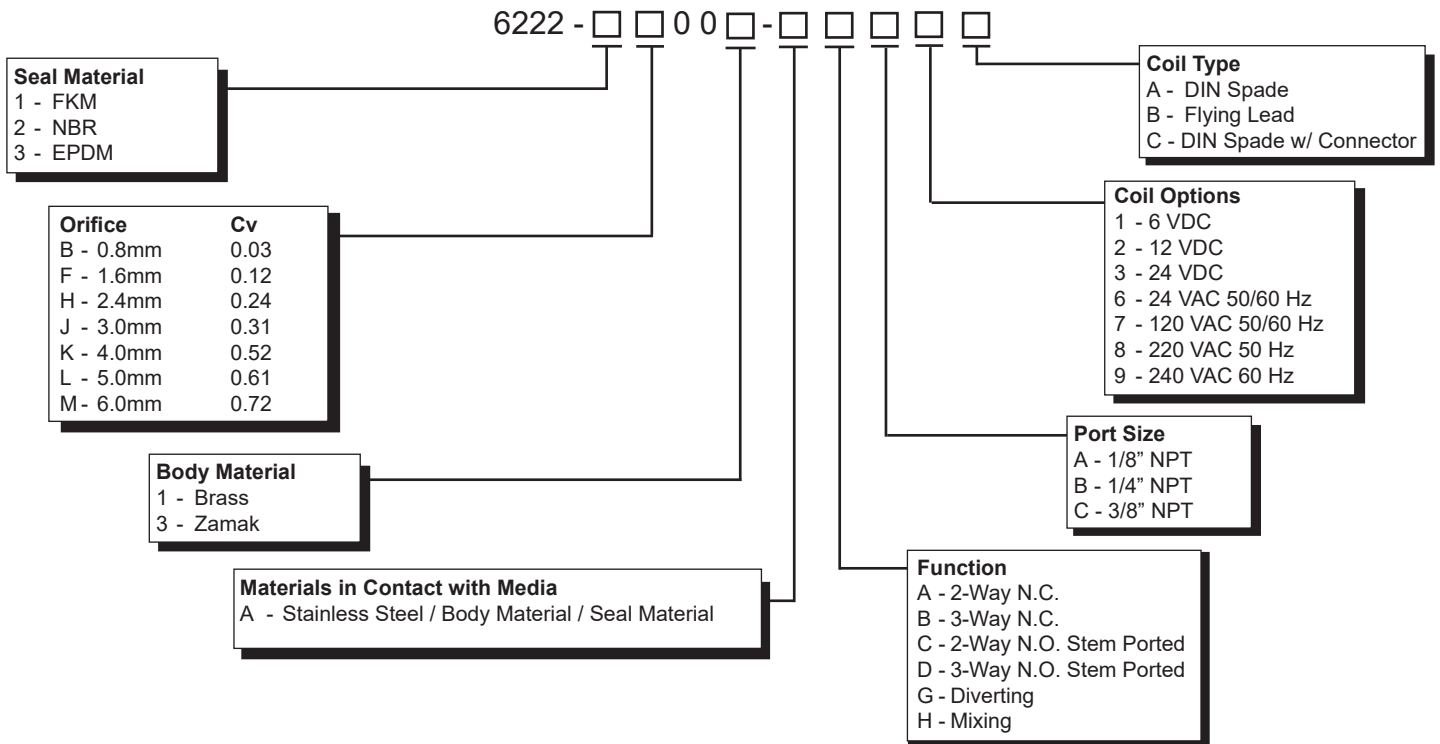
Direct Acting
2-Way & 3-Way

Technical Data

Function:	2-Way, 2-Position; Direct Acting; Diverting, Mixing Normally Closed, or Normally Open. 3-Way, 2-Position; Direct Acting; Diverting, Mixing Normally Closed, or Normally Open.	Mounting:	#8-32 thread thru for #8 screws (2); not included
Port Sizes:	1/8" NPT 1/4" NPT 3/8" NPT	Wetted Materials:	Elastomers: EPDM, FKM, NBR Operator: 300 and 400 Series Stainless Steel Orifice Basket: Celcon POM Shading Ring: Copper (AC Only) Springs: 300 Series Stainless Steel Valve Body: Brass or Zamak
Orifice Sizes / Flow Factor:	0.8mm / 0.03 Cv 1.6mm / 0.12 Cv 2.4mm / 0.24 Cv 3.0mm / 0.31 Cv 4.0mm / 0.52 Cv 5.0mm / 0.61 Cv 6.0mm / 0.72 Cv	Coil Data:	Duty Cycle: Continuous (within specifications) Encapsulation: Glass-Filled Nylon Insulation: Class F Power Rating: 10 Watts VDC, 8 VA VAC (others available on request) Voltage: 6, 12, 24 VDC 24, 120, 220, 240 VAC 50/60 Hz Voltage tolerance: +/- 10% Nominal Winding: Class H
Pressure Range:	Vacuum to 525 psi (depending on orifice size and function)	Connections:	Spades: Accordance with DIN 43650 Form "A" / ISO 4400, EN175301-803;2006 Flying Lead: PVC, 22 AWG, Multi-Strand Copper Wire, 300V, 12" minimum length
Temp. Range:	Fluid max.: +90°C Dry Range: Ambient +10° to +50°C	Packaged Weight:	0.57 lbs.
Response Time:	16 to 40 ms Complete Cycle		
Media:	Air, caustics, inert gases, oil, water		
Environment Protection:	IP65 (IEC 144), NEMA 4 Dust-tight and water resistant (with electrical connector)		

DIRECT ACTING

How To Order



Order Example: 6222-1B001-AAA1A
FKM, 0.8mm orifice, Brass, Stainless Steel /
Body Material / Seal Material 2-Way / N.C.,
1/8" NPT, 6 VDC, DIN Spade