



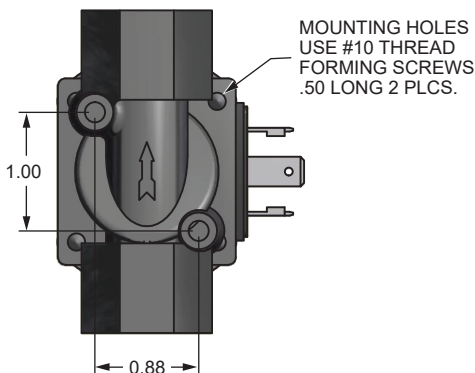
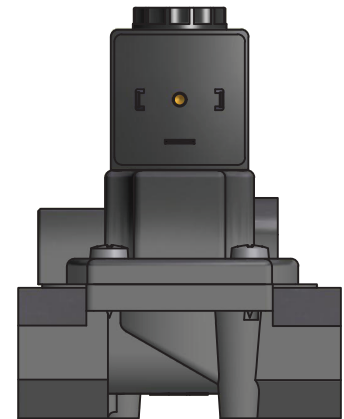
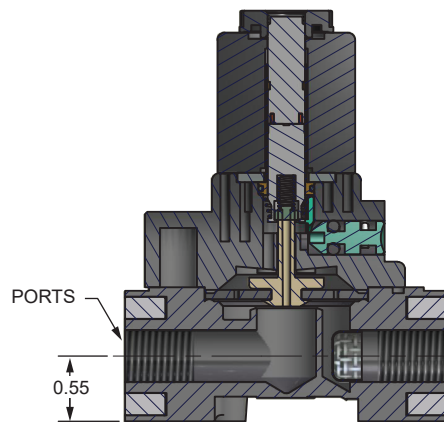
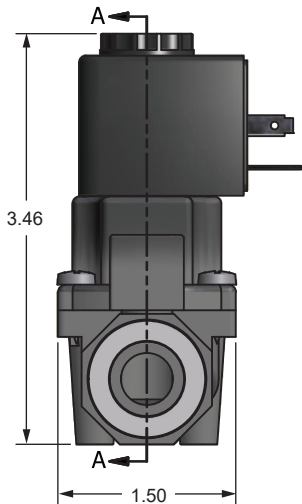
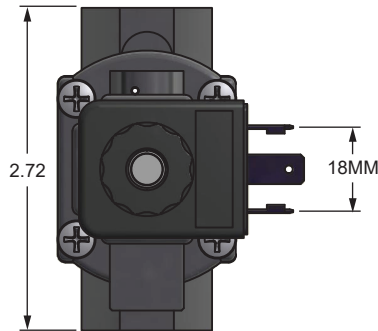
Series 3510

Diaphragm Process Composite Air-Sol 2-Way

The Spartan Scientific Series 3510 2-Way, 2-Position, internally piloted solenoid valve uses the latest technologies for materials and function. This combination provides the user with the highest quality, smallest size per Cv of flow and most competitive pricing of any valve on the market. The 3510 gives full flow throughout the pressure range starting with a Maximum Operating Pressure Differential of 1.5 psi while remaining sealed at 0 psi. The body is available in 1/4", 3/8" and 1/2" NPT sizes and features a stainless steel anti-flex ring for port strength. The molded pilot section features a push, non-locking manual override, high cycle life solenoid parts, and quick connect DIN Style "A" EN175301-803 (Formerly DIN 43650) or "flying lead" electrical connection options. Typical applications include air, emulsion, inert gases, oil and water control, condensate drainage, hot water plumbing and sprinkler systems.

Dimensional Data

ALL DIMENSIONS ARE IN INCHES UNLESS OTHERWISE NOTED



FLOW DATA	
PORT SIZE	FLOW RATE
1/4"	8.2 gpm
3/8"	9.3 gpm
1/2"	11.2 gpm
120 psi Δ p 25 psi	

DIAPHRAGM
PROCESS



Series 3510

Diaphragm Process
Composite Air-Sol 2-Way

Technical Data

Function: 2-Way, 2-Position; Inlet Pilot Diaphragm; Normally Closed

Port Size / Flow Factor: 1/4" NPT / 1.55 Cv
3/8" NPT / 1.95 Cv
1/2" NPT / 2.45 Cv

Orifice Sizes: 12.5mm / 2.45 Cv

Pressure Range: 0 to 150 psi (depending on orifice size and function)
Note: Valve Requires 1.5 psi differential to fully open

Temp. Range: Fluid Max.: +60°C
Dry Range: Ambient +10° to +50°C

Response Time: 20 to 80ms Complete Cycle

Media: Air, emulsion, inert gases, oil, water

Manual Override: Push non-locking

Environment Protection: IP65 (IEC 144), NEMA 4
Dust-tight and water resistant (with electrical connector)

Mounting: Use #8 x 0.50" long self-tapping screws (2)

Wetted Materials: Elastomers: EPDM, FKM, NBR
Operator: 300 and 400 Series Stainless Steel; Brass
Shading Ring: Copper (AC Only)
Springs: 300 Series Stainless Steel
Valve Body: Glass-filled Nylon (NSF Approved)

Coil Data: Duty Cycle: Continuous (within specifications)
Encapsulation: Glass-Filled Nylon
Insulation: Class F
Power Rating: 10 Watt VDC, 11 VA VAC (others available on request)
Voltage: 6, 12, 24 VDC
24, 120, 220, 240 VAC 50/60 Hz
Voltage Tolerance: +/- 10% Nominal
Winding: Class H

Connections: Spades: Accordance with DIN Style "A" EN175301-803
Flying Lead: PVC 22 AWG, Multi-Strand Copper Wire, 300V, 12" minimum length

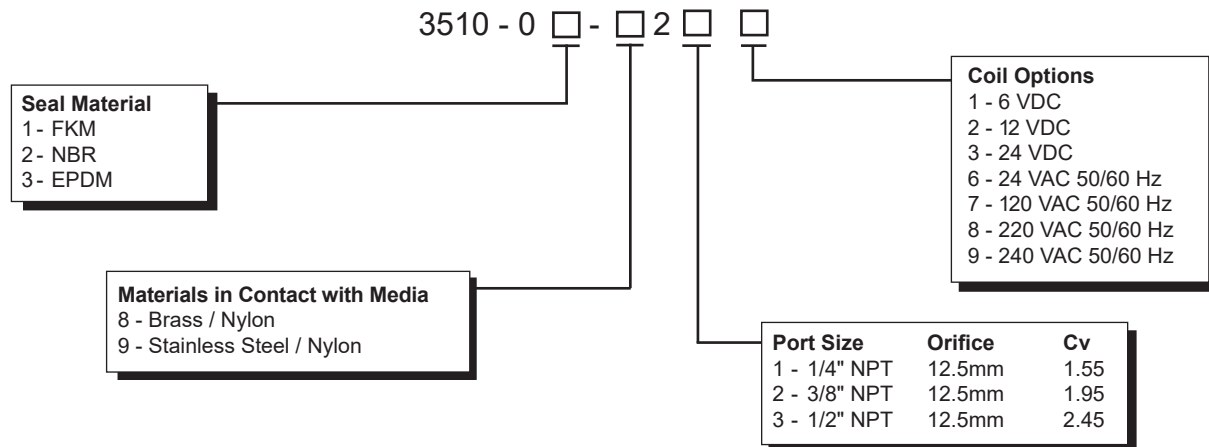
Packaged Weight: 0.55 lbs.

VOLTAGE

	AC	DC
2/2 NC	150	150

MAX. PRESSURE RANGE (psi)

How To Order



Replacement Diaphragm Kits

Kit includes: Diaphragm and Orifice insert

Specify Part Number

FKM	3500-01-0001	Normally
NBR	3500-B1-0001	Closed
EPDM	3500-E1-0001	

Order Example: 3510-01-8237
2-Way, N.C., FKM, Brass / Nylon,
1/2" NPT, 120 VAC 50/60 Hz