



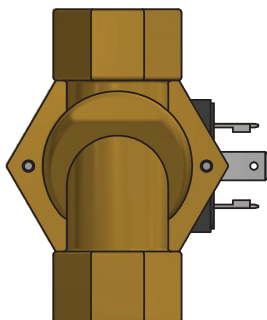
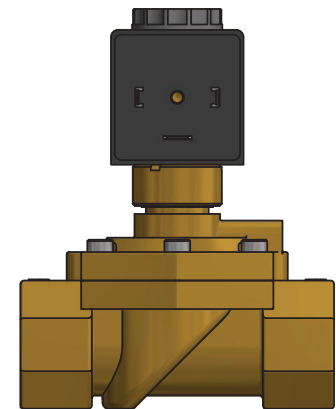
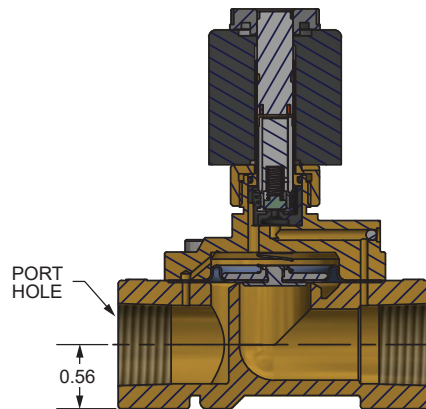
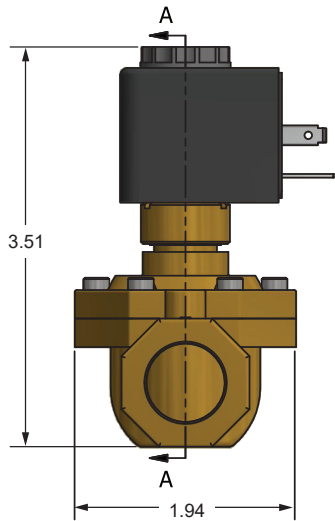
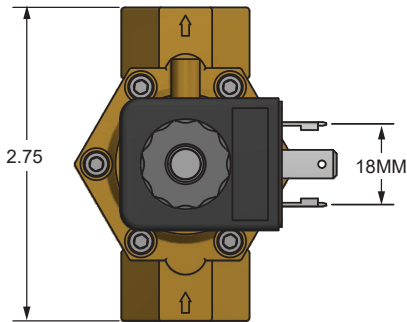
Series 3516

Diaphragm Process
Air-Sol 2-Way

The Spartan Scientific Series 3516 2-Way, 2-Position Normally Closed or Normally Opened solenoid diaphragm process valve offers the highest flow for the smallest overall size in its class as compared to competitive units. The valve is designed from the ground up using modern design technologies and materials. The potable water brass body is media compatible, rugged and virtually indestructible. The body is available in 1/4", 3/8" and 1/2" NPT. The low wattage solenoid features a DIN Style "A" EN175301-803 (Formerly DIN 43650) electrical interface and is nylon encapsulated. FKM, EPDM and NBR are standard elastomers and the operators are made of stainless steel / brass or stainless steel / brass with copper shading rings for AC versions. Typical applications include control of inert gases, water and compatible fluids.

Dimensional Data

ALL DIMENSIONS ARE IN INCHES UNLESS OTHERWISE NOTED



DIFFERENTIAL PRESSURE CHART (for Water)	
Port Size NPT	GPM @ 180 psi
1/4"	26
3/8"	32
1/2"	35

DIAPHRAGM
PROCESS



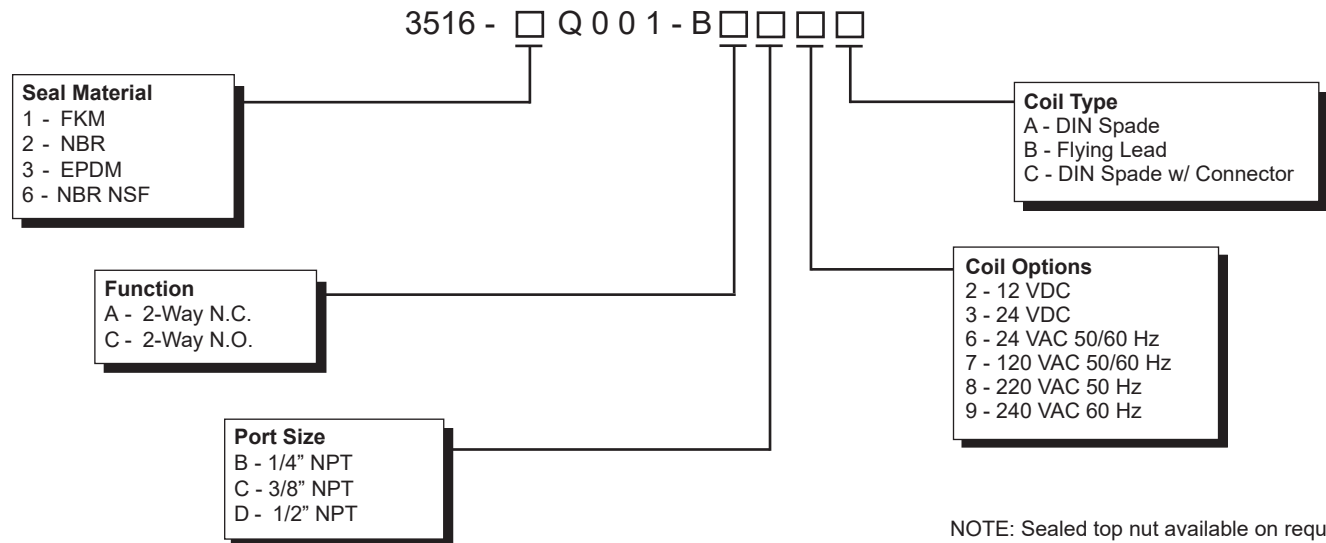
Series 3516

Diaphragm Process
Air-Sol 2-Way

Technical Data

Function:	2-Way, 2-Position; Internal Pilot Solenoid Operated; Normally Closed or Normally Open	Wetted Materials:	Elastomers: EPDM NSF, FKM FDA, NBR Operator: 300 and 400 Series Stainless Steel Shading Ring: Copper (Others available on request. AC only) Springs: 300 Series Stainless Steel Valve Body: Low lead Brass (suitable for potable water applications)
Port Size:	1/4" NPT / 26 GPM 3/8" NPT / 32 GPM 1/2" NPT / 35 GPM	Coil Data:	Duty Cycle: Continuous (within specifications) Encapsulation: Glass-Filled Nylon Insulation: Class F Power Rating: 6.5 Watts (VDC) 8.5 VA (VAC) Voltage: 12, 24 VDC 24, 120, 220, 240 VAC 50/60 Hz Voltage Tolerance: +/- 10% Nominal Windings: Class H
Orifice Sizes / Flow Factor:	16mm / 4.5 Cv	Connections:	Spades: Accordance with DIN Style "A" EN175301-803 Flying Lead: PVC 22 AWG, Multi-Strand Copper Wire, 300V, 12" minimum length
Pressure Range:	Water: 10 to 180 psi N.C., 150 psi N.O. Air: 10 to 125 psi N.C., 150 N.O.	Package Weight:	1.05 lbs.
Temp. Range:	Fluid Max.: +60°C Dry Range: Ambient +10°C to +50°C		
Reponse Time:	80 to 120ms Complete Cycle		
Media:	Air, light oils, noble gases, water (contact factory for compatibilities)		
Manual Override:	Turn lock (Normally Open version only)		
Environment Protection:	IP65 (IEC 144), NEMA 4 Dust-tight and water resistant (with electrical connector)		
Mounting:	On pipe		

How To Order



Diaphragm Repair Kits

Kit includes: Spring

Specify Part Number

FKM	3516-01-0001	Normally
NBR	3516-0B-0001	Closed
EPDM	3516-0E-0001	

Order Example: 3516-1Q001-BAB7A
FKM, 2-Way N.C., 1/4" NPT,
120 VAC 50/60 Hz, DIN Spade