



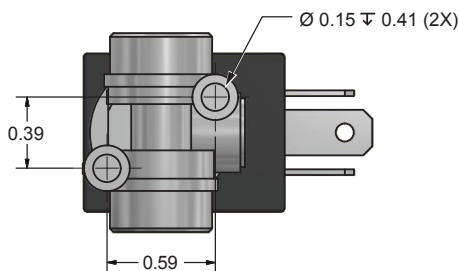
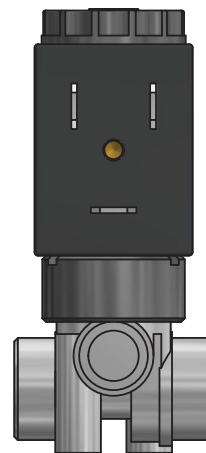
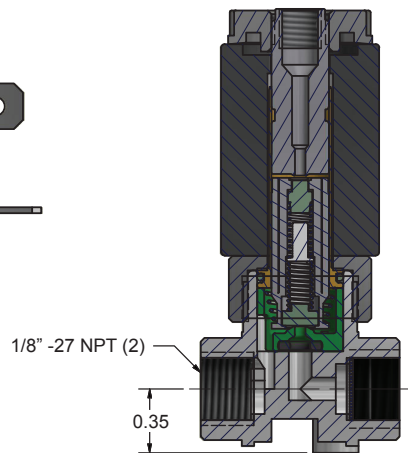
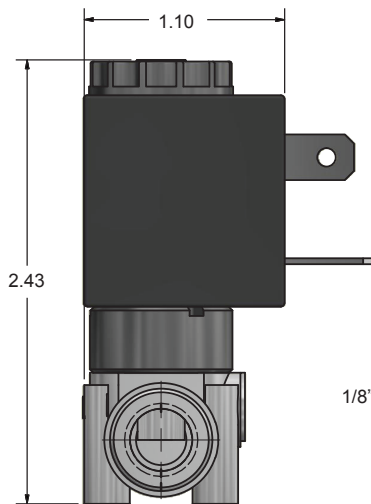
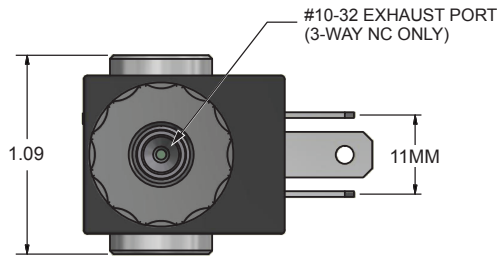
# Series 3822

Direct Acting  
2-Way & 3-Way

The Spartan Scientific Series 3822 is a metal body solenoid valve offered in both 2-Way & 3-Way, 2-Position Normally Closed or Normally Open functions and eight orifice sizes. Component features include the proven Series 3800 solenoid operator available in brass/stainless steel or all stainless steel pilot design, optional seal materials and Glass-Filled Nylon encapsulated coil in both DIN spade and flying lead. The "basket" orifice design feature allows the possibility of changing the orifice diameter to meet flow requirements within a matter of seconds. The rugged metal body coupled with the high cycle life, proven solenoid meet to make a solid solution for media and inert gas control. Available in all standard voltages, the valve saves energy while giving you the confidence of high quality in small envelope size.

## Dimensional Data

ALL DIMENSIONS ARE IN INCHES UNLESS OTHERWISE NOTED



ORIFICE SIZE / VOLTAGE

| FUNCTION | 0.6mm |     | 0.8mm |     | 1.0mm |     | 1.2mm |     | 1.5mm |     | 2.0mm |     | 2.4mm |     | *3.0mm |     |
|----------|-------|-----|-------|-----|-------|-----|-------|-----|-------|-----|-------|-----|-------|-----|--------|-----|
|          | AC    | DC  | AC    | DC  | AC    | DC  | AC    | DC  | AC    | DC  | AC    | DC  | AC    | DC  | AC     | DC  |
| 2/2 NC   | 200   | 200 | 200   | 200 | 200   | 200 | 200   | 200 | 200   | 200 | 200   | 200 | 200   | 200 | 75     | 60  |
| 2/2 NO   | N/A   | N/A | N/A   | N/A | N/A   | N/A | N/A   | N/A | 150   | 150 | N/A   | N/A | N/A   | N/A | N/A    | N/A |
| 3/2 NC   | 200   | 200 | 200   | 200 | 200   | 200 | 180   | 180 | 150   | 150 | 90    | 75  | 60    | 60  | 25     | 25  |
| 3/2 NO   | N/A   | N/A | N/A   | N/A | N/A   | N/A | N/A   | N/A | 150   | 150 | N/A   | N/A | N/A   | N/A | N/A    | N/A |

MAX. PRESSURE RANGE (psi)

DIRECT ACTING



# Series 3822

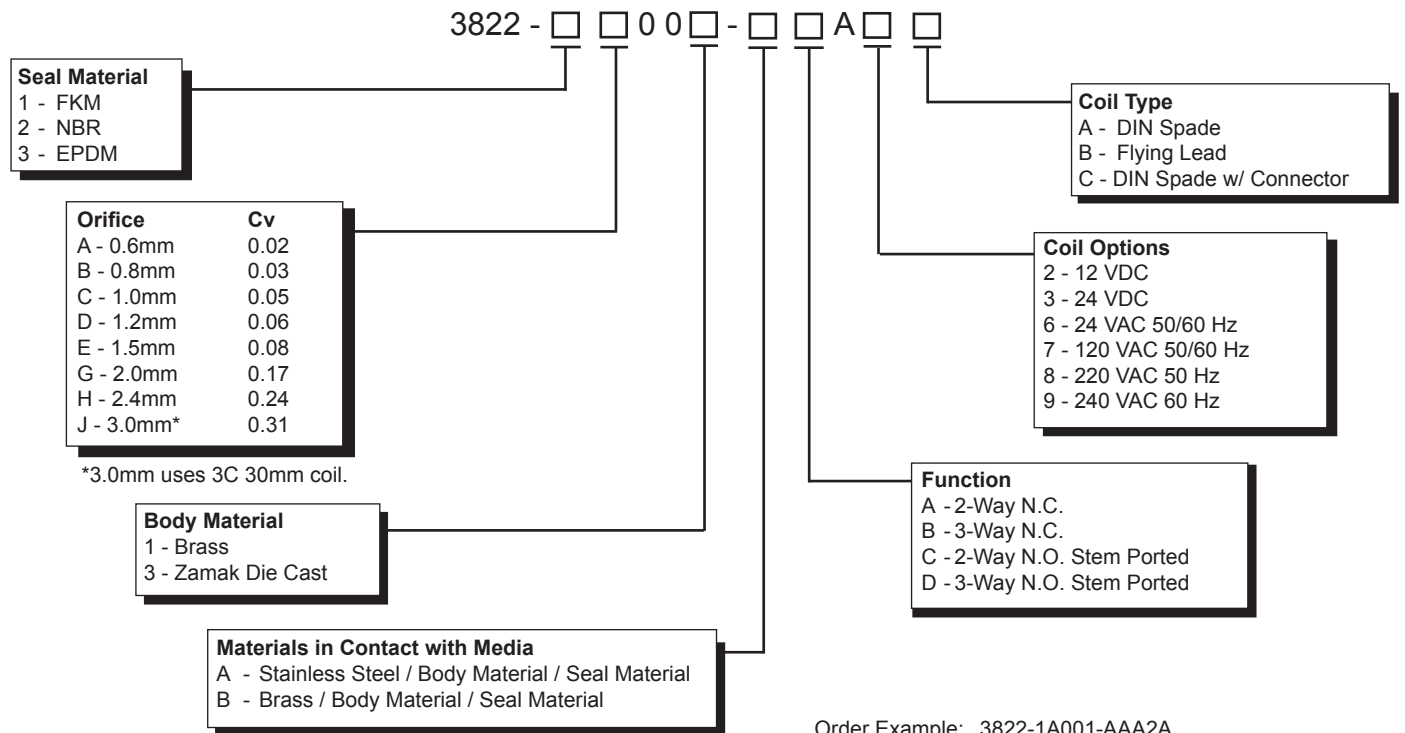
Direct Acting  
2-Way & 3-Way

## Technical Data

|  |  |                          |   |
|--|--|--------------------------|---|
| <b>Function:</b>                       | 2-Way, 2-Position; Direct Acting;<br>Normally Closed or Normally Open<br>3-Way, 2-Position; Direct Acting<br>Normally Closed or Normally Open        | <b>Mounting:</b>         | #8 x 0.150" Self-Tapping Screw (2) not provided   |
| <b>Port Size:</b>                      | 1/8" NPT   | <b>Wetted Materials:</b> | Elastomers: EPDM, FKM, NBR<br>Operator: 300 and 400 Series Stainless Steel; or Brass<br>Orifice Basket: APOM<br>Shading Ring: Copper (AC only)<br>Springs: 300 Series Stainless Steel<br>Valve Body: Brass or Zamak   |
| <b>Orifice Size /<br/>Flow Factor:</b> | 0.6mm / 0.02 Cv<br>0.8mm / 0.03 Cv<br>1.0mm / 0.05 Cv<br>1.2mm / 0.06 Cv<br>1.5mm / 0.08 Cv<br>2.0mm / 0.17 Cv<br>2.4mm / 0.24 Cv<br>3.0mm / 0.31 Cv | <b>Coil Data:</b>        | Duty Cycle: Continuous (within specifications)<br>Encapsulation: Glass-Filled Nylon<br>Insulation: Class F<br>Power Rating: 6.5 Watt VDC, 8.5VA VAC<br>(others available on request)<br>Voltage: 12, 24 VDC<br>24, 120, 220, 240 VAC 50/60 Hz<br>Voltage Tolerance: +/- 10% Nominal<br>Winding: Class H |
| <b>Pressure Range:</b>                 | Vacuum to 200 psi<br>(depending on orifice size and function)  | <b>Connections:</b>      | Spades: Terminals AMP 6.3x0.8 width 11mm<br>(Available in DIN 43650 Form "A" / ISO 4400,<br>EN175301-803:2006 for 3.0mm orifice or larger)<br>Flying Lead: PVC 22 AWG, Multi-Strand<br>Copper Wire, 300V, 12" minimum length  |
| <b>Temp. Range:</b>                    | Fluid Max.: +90°C<br>Dry Range: Ambient +10° to +50°C  | <b>Packaged Weight:</b>  | 0.21 lbs.   |
| <b>Response Time:</b>                  | 12 to 14ms Complete Cycle  |                          |   |
| <b>Media:</b>                          | Air, inert gas, light oil, water<br>(contact factory for compatibilities)  |                          |   |
| <b>Environment<br/>Protection:</b>     | IP65 (IEC 144), NEMA 4<br>Dust-tight and water resistant (with electrical connector)   |                          |   |

DIRECT  
ACTING

## How To Order



Order Example: 3822-1A001-AAA2A  
FKM, 0.6mm orifice, 0.02 Cv, Brass,  
Stainless Steel / Body Material / Seal Material,  
2-Way N.C., 12 VDC, DIN Spade.