



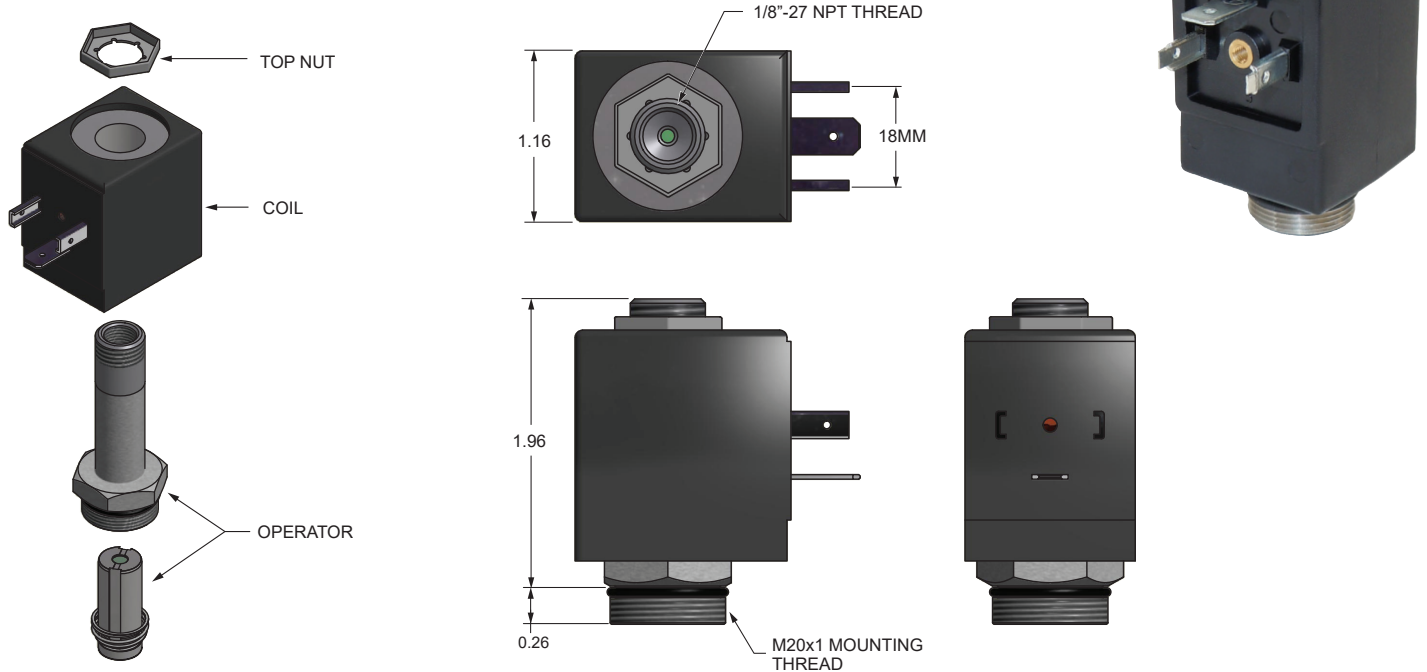
Series 40A0

Solenoid Operators Air-Sol 2-Way & 3-Way

The Spartan Scientific Series 40A0 solenoid valve operators are used as 2-Way & 3-Way, 2-Position Normally Closed or Normally Open, functions for the control of air, light oil, water and inert gases. The robust design incorporates all stainless steel stop, plunger and tube assembly as well as spring compensated top seat. Available in 0.8mm (0.03 Cv) to 6.0mm (0.72 Cv) orifice sizes, the 40A0 can control a broad range of flow and pressure ratings. Standard elastomers are FKM, NBR and EPDM. The class F coils are all nylon encapsulated, 100% duty, all standard voltage and are available in DIN 43650 Form "A", flying lead, DIN form A connector, 1/2" conduit. Available in UL recognized and CSA approved as well as other institutional approvals and oxygen cleaned upon request.

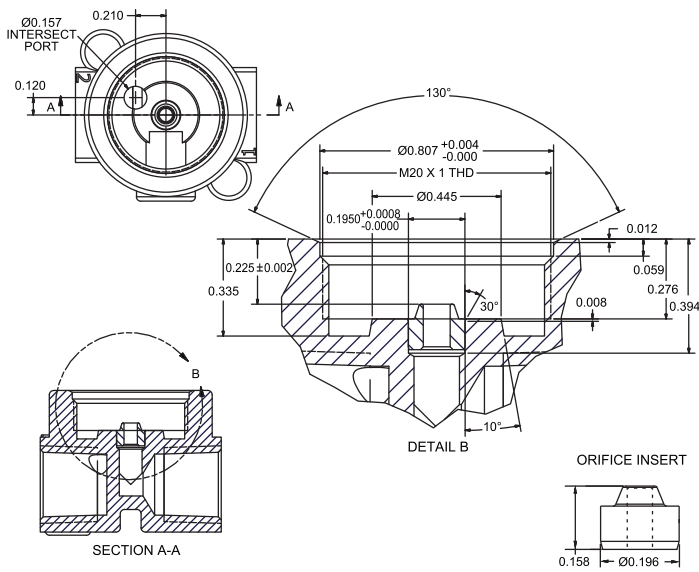
Dimensional Data

ALL DIMENSIONS ARE IN INCHES UNLESS OTHERWISE NOTED

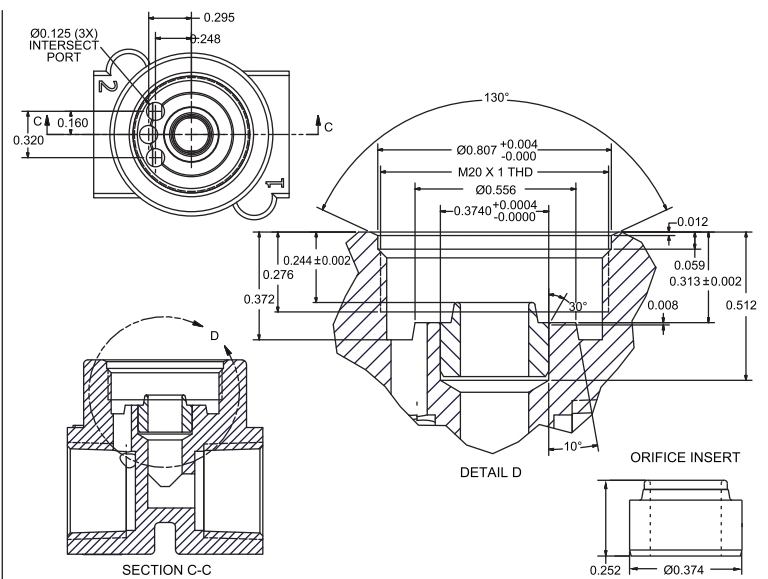


Orifice Insert / Armature Cavity Details

MOUNTING CAVITY
0.8MM TO 4.0MM ORIFICE



MOUNTING CAVITY
3.0MM TO 6.0MM ORIFICE





Series 40A0

Solenoid Operators
Air-Sol 2-Way & 3-Way

SOLENOID OPERATORS

Technical Data

Function:	2-Way, 2-Position; Direct Acting; Normally Closed or Normally Open 3-Way, 2-Position; Direct Acting; Normally Closed or Normally Open	Wetted Materials:	Elastomers: EPDM, FKM, NBR Operator: 300 and 400 Series Stainless Steel Orifice Insert: 300 Series Stainless Steel Shading Ring: Copper (AC Only) Springs: 300 Series Stainless Steel
Orifice Sizes / Flow Factor:	0.8mm / 0.03 Cv 1.6mm / 0.12 Cv 2.4mm / 0.24 Cv 3.0mm / 0.31 Cv 4.0mm / 0.52 Cv 6.0mm / 0.72 Cv	Coil Data:	Duty Cycle: Continuous (within specifications) Encapsulation: Glass-Filled Nylon Insulation: Class F Power Rating: 10 Watt VDC, 11 VA VAC (others available on request) Voltage: 6, 12, 24 VDC 24, 120, 220, 240 VAC 50/60 Hz Voltage Tolerance: +/- 10% Nominal Winding: Class H
Pressure Range:	Vacuum to 1200 psi (depending on orifice size and function)	Connections:	Spades: Accordance with DIN 43650 Form "A" / ISO 4400, EN175301-803:2006 Flying Lead: PVC 22 AWG, Multi-Strand Copper Wire, 300V, 12" minimum length
Temp. Range:	Fluid Max.: +90°C Dry Range: Ambient +10° to +50°C	Package Weight:	With Coil: 0.43 lbs. Without Coil: 0.15 lbs.
Response Time:	12ms Complete Cycle		
Media:	Air, inert gases, light oil, water (contact factory for compatibilities)		
Environment Protection:	IP65 (IEC 144), NEMA 4 Dust-tight and water resistant (with electrical connector)		

ORIFICE SIZE / VOLTAGE

FUNCTION	0.8mm		1.6mm		2.4mm		3.0mm		4.0mm		6.0mm	
	AC	DC	AC	DC	AC	DC	AC	DC	AC	DC	AC	DC
2/2 NC	1200	900	900	525	450	225	270	150	100	80	70	60
2/2 NO	525	345	255	225	150	120	90	82	N/A	N/A	N/A	N/A
3/2 NC	525	375	255	225	150	120	90	82	60	50	30	20
3/2 NO	450	345	255	225	150	120	105	90	N/A	N/A	N/A	N/A

MAX. PRESSURE RANGE (psi)

How To Order

