



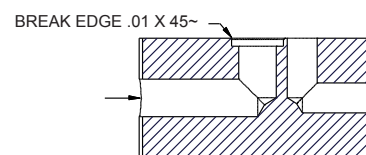
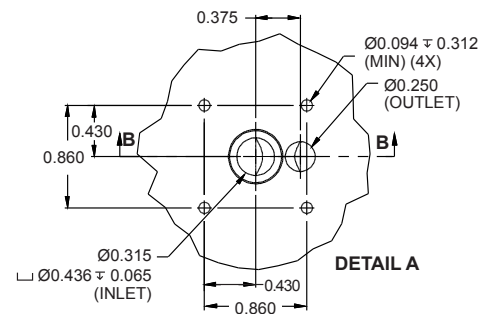
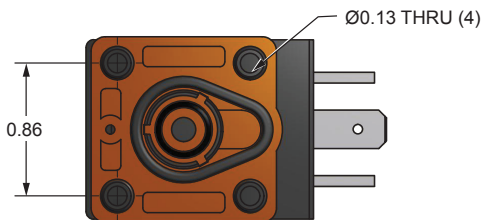
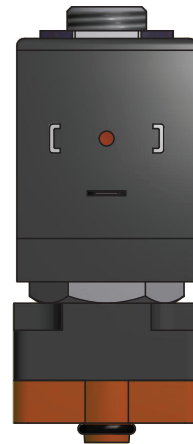
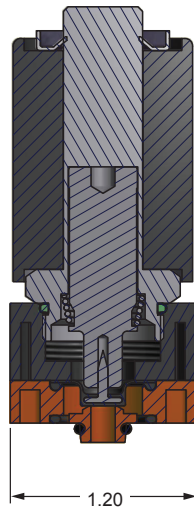
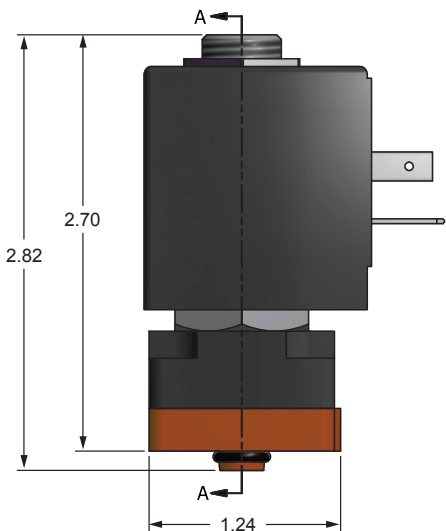
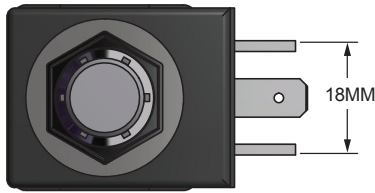
Series 4BKR

Media Separated 2-Way Manifold Mount

The Spartan Scientific Series 4BKR is a 2-Way, 2-Position media separated solenoid valve that is used for the control of ultra pure or corrosive media that would otherwise cause premature failure on wetted type solenoid valves. Featuring the Spartan Scientific low volume valve cavity and the rolling diaphragm, the 4BKR has no convolutions for chemicals to congregate or dead spots for flow. The all encapsulated coil, stainless steel tube and plunger assembly are designed for a long trouble free life. Also featuring a quick connect interface, the valve can be mounted in a gang style on a manifold block by using four fasteners and two o-rings.

Dimensional Data

ALL DIMENSIONS ARE IN INCHES UNLESS OTHERWISE NOTED



SECTION B-B
MOUNTING HOLE / PASSAGE PATTERN

MEDIA
SEPARATED



Series 4BKR

Media Separated
2-Way Manifold Mount

Technical Data

Function: 2-Way, 2-Position; Direct Acting, Media Separated; Normally Closed or Normally Open

Orifice Sizes / Flow Factor: 2.0mm / 0.17 Cv
2.4mm / 0.24 Cv
3.0mm / 0.31 Cv
4.0mm / 0.52 Cv
5.0mm / 0.62 Cv

Pressure Range: 15" Hg Vacuum - 120 psi (depending on orifice size and function)

Temp. Range: Fluid Max.: +60°C
Dry Range: Ambient +10° to +50°C

Response Time: 16 to 40ms Complete Cycle

Media: Air, light oil, noble gases, water (contact factory for compatibilities)

Environment Protection: IP65 (IEC 144), NEMA 4
Dust-tight and water resistant (with electrical connector)

Mounting: Ø0.125" for #4 pan-head screws (4)

Wetted Materials: Elastomers: EPDM, FKM, NBR (others, including NSF and FDA compliant, available on request)
Orifice Plate: PEI
Valve Body: Glass-Filled Nylon

Coil Data: Duty Cycle: Continuous (within specifications)
Encapsulation: Glass-Filled Nylon
Insulation: Class F
Power Rating: 10 Watt VDC, 8 VAC (others available on request)
Voltage: 6, 12, 24 VDC
24, 120, 220, 240 VAC 50/60 Hz
Voltage tolerance: +/- 10% Nominal
Winding: Class H

Connections: DIN Spades: Accordance with DIN 43650 Form "A" / ISO 4400, EN175301-803:2006
Flying Lead: PVC, 18 AWG or 22 AWG, Multi-Strand Copper Wire, 300V, 12" minimum length

Packaged Weight: 0.52 lbs.

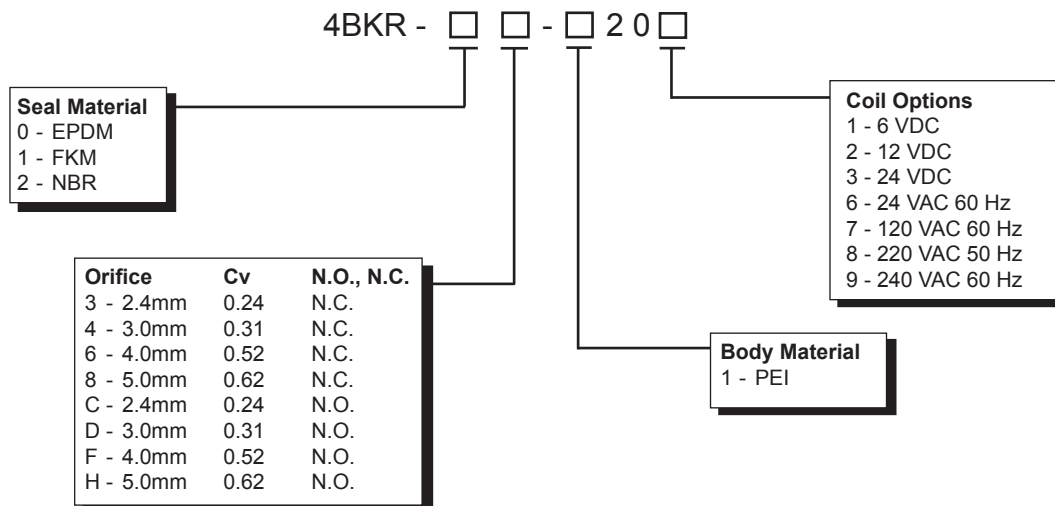
ORIFICE SIZE / VOLTAGE

	2.0mm		2.4mm		3.0mm		4.0mm		5.0mm	
	AC	DC	AC	DC	AC	DC	AC	DC	AC	DC
2/2 NC	120	120	120	120	75	60	55	45	30	20
2/2 NO	N/A	N/A	80	75	60	55	45	40	40	35

*MAX. PRESSURE RANGE (psi)

*Note - Maximum allowable back pressure is 20 psi regardless of voltage.

How To Order



Order Example: 4BKR-03-1207
EPDM, 2.4mm / 0.245 Cv, N.C., 120 VAC 60 Hz