

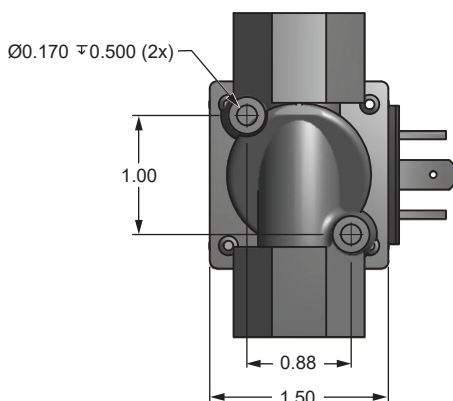
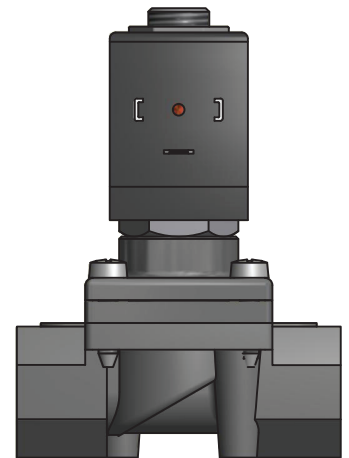
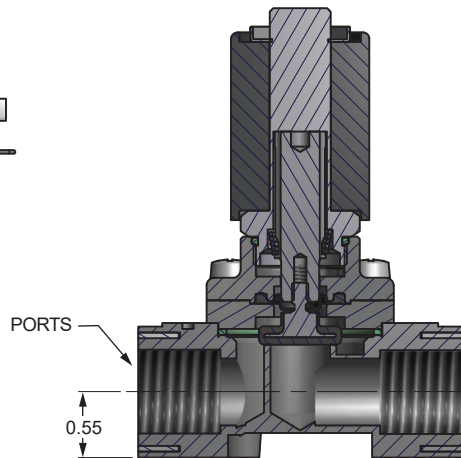
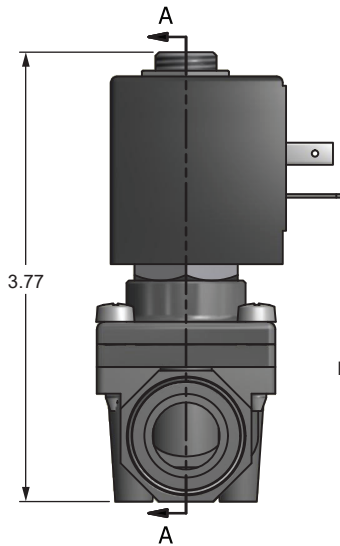
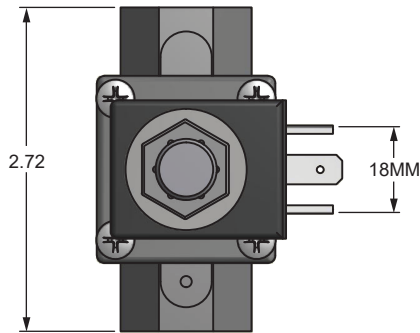


# Series 4D85

Media Separated  
Process Composite Med-Sol 2-Way

The Spartan Scientific Series 4D85 is a direct operating 2-Way 2-Position media separated valve for control of aggressive media that can damage wetted solenoid valve components. The valve incorporates the innovative Spring Diaphragm which retains the media in the valve body effectively separating the metal operator components from the media for extremely long life cycles and media compatibility. The 4D85 is a stand alone body ported valve, available in 1/4", 3/8", and 1/2" NPT port connections and offers a full flow 12.5mm orifice. The 4D85 can control media compatible with Glass-Filled Nylon, FKM, EPDM, and NBR elastomers. Available in all standard voltages, the 4D85 can control up to 20 PSI inlet pressure with no minimum operating pressure differential. The fully nylon encapsulated coils are available in ISO DIN Style "A" EN175301-803 (Formerly DIN 43650) and flying leads. The 4D85 valve body features robust design elements such as all stainless hardware and metal reinforced port rings which virtually eliminate valve body damage. The 4D85 is designed for a long trouble free life while still controlling compatible aggressive fluids.

## Dimensional Data



MEDIA  
SEPARATED



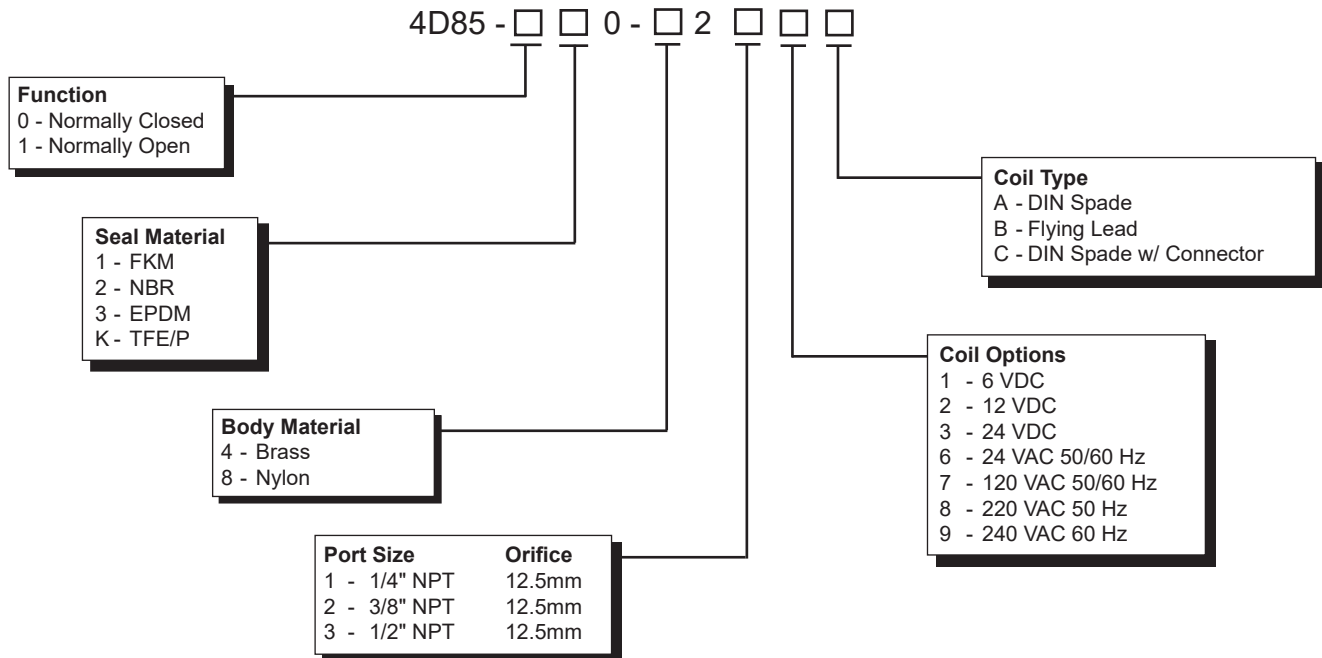
# Series 4D85

Media Separated  
Process Composite Med-Sol 2-Way

## Technical Data

<b>Function:</b>	2-Way, 2-Position; Direct Acting, Media Separated; Normally Closed or Normally Open	<b>Wetted Materials:</b>	Elastomers: EPDM , FKM, NBR, TFE/P (others available on request) Valve Body: Glass-Filled Nylon (NSF Approved); PEI
<b>Port Sizes:</b>	1/4" NPT / 1.55 Cv 3/8" NPT / 1.95 Cv 1/2" NPT / 2.45 Cv	<b>Coil Data:</b>	Duty Cycle: Continuous (within specifications) Encapsulation: Glass-Filled Nylon Insulation: Class F Power Rating: 10 Watts VDC 11 VA VAC (others available on request) Voltage: 6, 12, 24 VDC 24, 120, 220, 240 VAC 50/60 Hz Voltage Tolerance: +/- 10% Nominal Winding: Class H
<b>Orifice Sizes:</b>	12.5mm	<b>Connections:</b>	Spades: Accordance with DIN Style "A" EN175301-803 Flying Lead: PVC, 18 AWG, Multi-Strand Copper Wire, 300V, 12" minimum length
<b>Pressure Range:</b>	Vacuum to 20 psi (depending on orifice size and function)	<b>Packaged Weight:</b>	0.64 lbs.
<b>Temp. Range:</b>	Fluid Max.: +60°C Dry Range: Ambient +10° to +50°C (dry)		
<b>Response Time:</b>	16 to 40 ms Complete Cycle		
<b>Media:</b>	Air, caustics, inert gas, oil, water (contact factory for compatibilities)		
<b>Environment Protection:</b>	IP65 (IEC 144), NEMA 4 Dust-tight and water resistant (with electrical connector)		

## How To Order



Order Example: 4D85-010-4211A  
FKM seal, Brass, 1/4" NPT, 6VDC, DIN Spade

MEDIA SEPARATED