



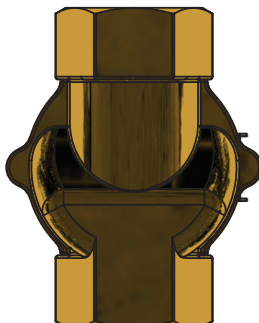
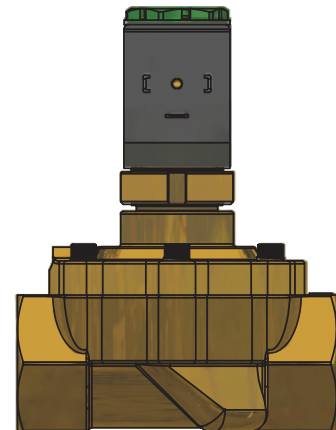
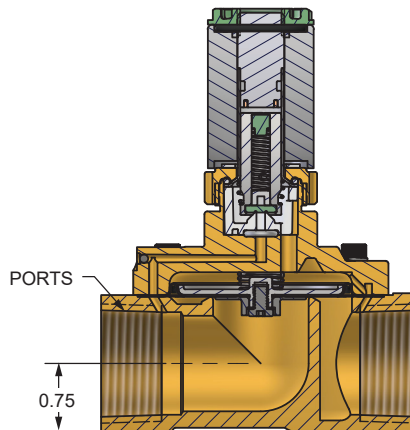
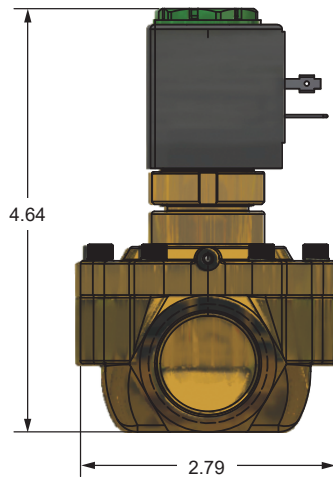
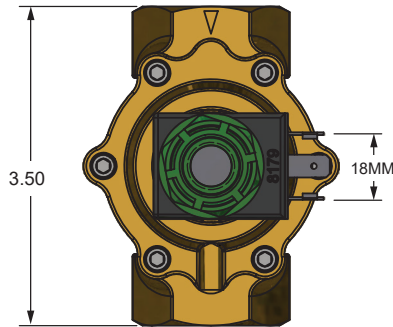
Series 6700

Diaphragm Process
Air-Sol 2-Way

The Spartan Scientific Series 6700 2-Way, 2-Position process type solenoid operated diaphragm valve offers the highest flow for the smallest overall size in its class in an all brass body form. The valve is designed from the ground up using modern design technologies and materials. The heart of the design uses a rolling diaphragm which exhibits superior flow for size. Featuring a full flow 28.58mm (1.13") orifice, the 6700 is available in Normally Closed configurations. The all brass body construction is available in 3/4" and 1.0" NPT port configuration with a maximum of 14 Cv (maximum flow is 53.3 GPM @ 120 PSI), This design is virtually indestructible when using clean media and proper environment. Typical applications include 2 way control of inert gases, water and compatible fluids.

Dimensional Data

ALL DIMENSIONS ARE IN INCHES UNLESS OTHERWISE NOTED



DIAPHRAGM
PROCESS



Series 6700

Diaphragm Process
Air-Sol 2-Way

Technical Data

Function: 2-Way, 2-Position; Internal Pilot Solenoid;
Normally Closed

**Port Size/
Flow Factory:** 3/4" NPT / 9.5 Cv
1" NPT / 14 Cv

Orifice Size: 1.049"

Pressure Range: 10 to 220 psi (depending on orifice size and function)

Temp. Range: Fluid Max.: +60°C
Dry Range: Ambient +10° to +50°C

Response Time: 80 to 120ms Complete Cycle

Media: Air, water (potable), light oil, noble gas
(contact factory for compatibilities)

**Environment
Protection:** IP65 (IEC 144), NEMA 4
Dust-tight and water resistant
(with electrical connector)

Mounting: On pipe

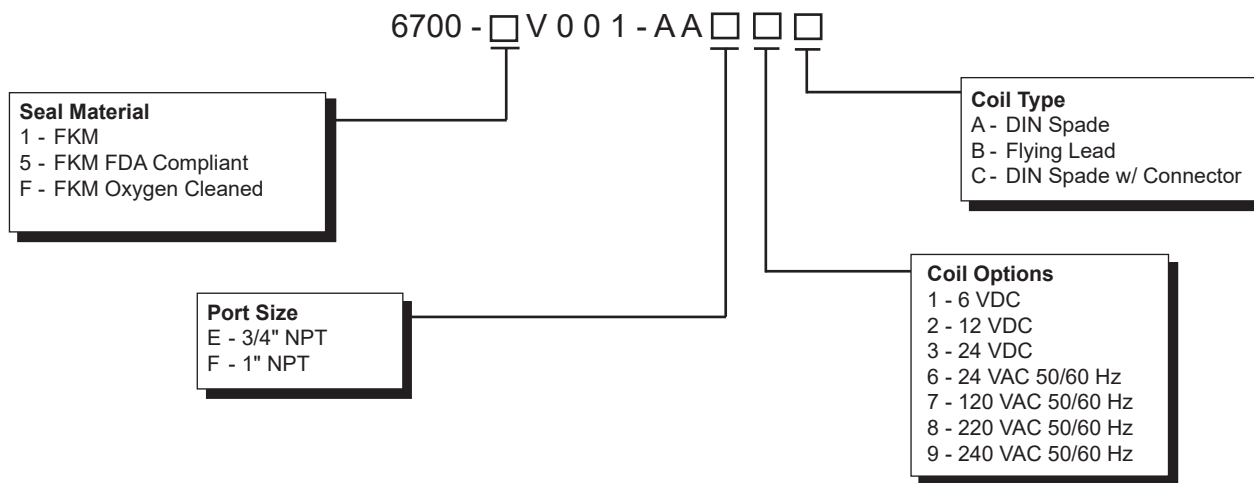
Wetted Materials: Elastomers: FKM (FDA). Others available on request.
Armature Assembly: 300 and 400 Series Stainless Steel
Springs: 300 Series Stainless Steel
Valve Body and Bonnet: Low lead brass
(others available on request)

Coil Data: Duty Cycle: Continuous (within specifications)
Encapsulation: Glass-Filled Nylon
Insulation: Class F
Power Rating: 10 Watt VDC, 19 VA VAC
(others available on request)
Voltage: 6, 12, 24 VDC
24, 120, 220, 240 VAC 50/60 Hz
Voltage Tolerance: +/- 10% Nominal
Winding: Class H

Connections: Spades: Accordance with DIN Style "A" EN175301-803
Flying Lead: PVC 18 AWG, Multi-Strand Copper Wire,
300V, 12" minimum length

Packaged Weight: 3/4": 2.5 lbs.
1.0": 2.7 lbs.

How To Order



Order Example: 6700-1V001-AAE1A
2-Way, N.C., FKM, 3/4" NPT,
6 VDC, DIN Spade