



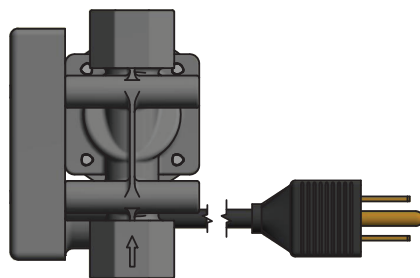
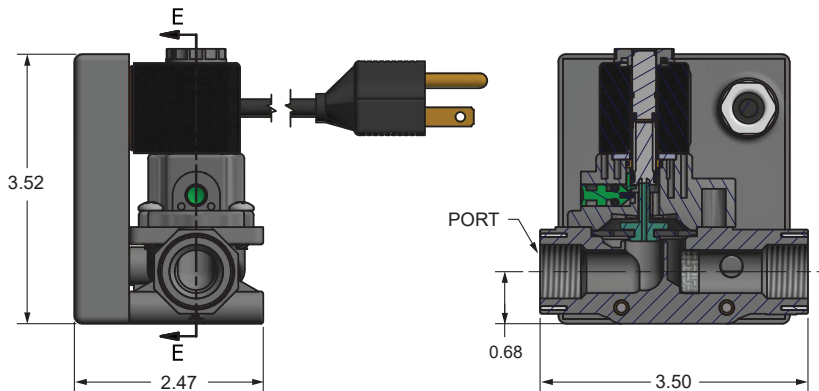
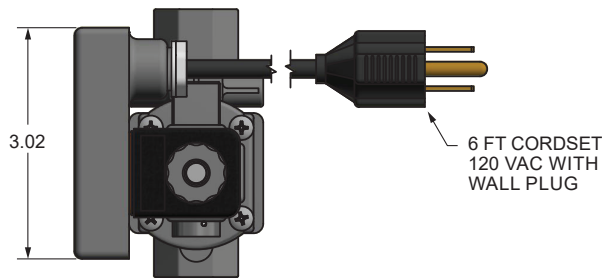
Series CRDVS

Plug-N-Play Closed Loop
Compressor Drain Valve

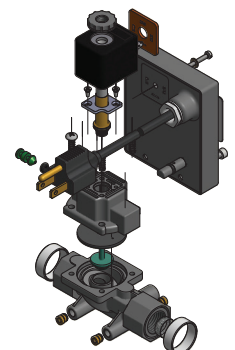
The Spartan Scientific Series CRDVS Condensate Removal Drain Valve keeps your air compressor tank and air lines free of moisture automatically by coupling a state of the art, closed loop sensing system with a robust high flow diaphragm solenoid valve. As a constant sentinel, the CRDVS protects your expensive equipment against premature failure, reducing rust and clogged air components while increasing compressor life, facilitating proper maintenance, proper cycling and machine life. The CRDVS features a self-cleaning cycle every 24 hours, status indicator lights, environment resistant design and once setup, is truly plug and play. As water/effluent enters the CRDVS, the self-learning mode opens the valve more often or less often based on the sensing of the water and demand. The CRDVS drains the water, only when necessary with no loss of compressed air. The options, utility, size, ease of installation and price rival the cost of conventional timed electric drains.

Dimensional Data

ALL DIMENSIONS ARE IN INCHES UNLESS OTHERWISE NOTED



EXPLODED VIEW



CONDENSATE
DRAIN



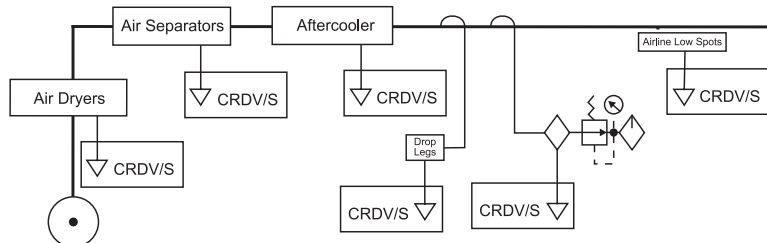
Series CRDVS

Plug-N-Play Closed Loop
Compressor Drain Valve

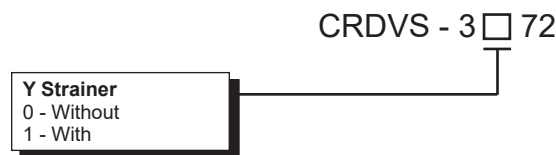
Technical Data

Function:	2-Way, 2-Position; Inlet Pilot Diaphragm; Normally Closed	Wetted Materials:	Elastomers: FKM (others available on request) Manual Override: Polypropylene Operator: 400 Series Stainless Steel and Brass Orifice Insert: Polypropylene Shading Ring: Copper (AC Only) Springs: 300 Series Stainless Steel Valve Body: Glass-Filled Nylon
Port Size:	1/2" NPT	Coil Data:	Duty Cycle: Continuous (within specifications) Encapsulation: Glass-Filled Nylon Insulation: Class F Power Rating: 8.5 VA Voltage: 120 VAC 50/60 Hz Voltage Tolerance: +/- 10% Nominal Winding: Class H
Orifice Sizes / Flow Factor:	12.5mm / 2.45 Cv	Transient Suppression:	MOV
Pressure Range:	0 to 180 psi	Cable:	6 ft. Cord with grounded wall plug
Temp. Range:	Fluid Max.: +60°C Dry Range: Ambient +10° to +50°C Note: This device is not recommended for use in below freezing temperatures	Packaged Weight:	1.1 lbs.
Response Time:	20 to 80 ms Complete Cycle		
Media:	Air, emulsion, gas, water (contact factory for compatibilities)		
Environment Protection:	IP65 (IEC 144), NEMA 4 Dust-tight and water resistant (with electrical connector)		
Mounting:	On pipe or #8 - 32 mounting holes on valve base		

Applications



How To Order



Repair Kit Kit includes: Solenoid Coil, Solenoid Operator Assembly & Viton Diaphragm
Specify Part Number CRDVS-RK

Order Example: CRDVS-3072
Without Y strainer, Nylon.

CONDENSATE
DRAIN